



**Single-Row
Four Point
Contact Ball
Slewing
Bearing**



HTB single-row four-point contact ball slewing bearings have such features as up port high dynamic loads, transmitting axial and radial forces simultaneously as well as the resulting tilting moments.

Applications: Hoisting, mechanical handling, general mechanical engineering and etc.

Single-Row Four Point Contact Ball Slewing Bearings

Bearing No. without gears	Dimensions (mm)										Bearing No.	Bearing No.
	D	d	T	H	h	D1	d1	dn	n	n1	external gear	internal gear
010.30.500	602	398	80	70	10	566	434	18	20	4	011.30.500	013.30.500
	602	398	80	70	10	566	434	18	20	4	012.30.500	014.30.500
010.30.560	662	458	80	70	10	626	494	18	20	4	011.30.560	013.30.560
	662	458	80	70	10	626	494	18	20	4	012.30.560	014.30.560
010.30.630	732	528	80	70	10	696	564	18	24	4	011.30.630	013.30.630
	732	528	80	70	10	696	564	18	24	4	012.30.630	014.30.630
010.30.710	812	608	80	70	10	776	644	18	24	4	011.30.710	013.30.710
	812	608	80	70	10	776	644	18	24	4	012.30.710	014.30.710
010.40.800	922	678	100	90	10	878	722	22	30	6	011.40.800	013.40.800
	922	678	100	90	10	878	722	22	30	6	012.40.800	014.40.800
010.40.900	1022	778	100	90	10	978	822	22	30	6	011.40.900	013.40.900
	1022	778	100	90	10	978	822	22	30	6	012.40.900	014.40.900
010.40.1000	1122	878	100	90	10	1078	922	22	36	6	011.40.1000	013.40.1000
	1122	878	100	90	10	1078	922	22	36	6	012.40.1000	014.40.1000
010.40.1120	1242	998	100	90	10	1198	1042	22	36	6	011.40.1120	013.40.1120
	1242	998	100	90	10	1198	1042	22	36	6	012.40.1120	014.40.1120
010.45.1250	1390	1110	110	100	10	1337	1163	26	40	5	011.45.1250	013.45.1250
	1390	1110	110	100	10	1337	1163	26	40	5	012.45.1250	014.45.1250
010.45.1400	1540	1260	110	100	10	1487	1313	26	40	5	011.45.1400	013.45.1400
	1540	1260	110	100	10	1487	1313	26	40	5	012.45.1400	014.45.1400
010.45.1600	1740	1460	110	100	10	1687	1513	26	45	5	011.45.1600	013.45.1600

Single-Row Four Point Contact Ball Slewing Bearings

	1740	1460	110	100	10	1687	1513	26	45	5	012.45.1600	014.45.1600
010.45.1800	1940	1660	110	100	10	1887	1713	26	45	5	011.45.1800	013.45.1800
	1940	1660	110	100	10	1887	1713	26	45	5	012.45.1800	014.45.1800
010.60.2000	2178	1825	144	132	12	2110	1891	33	48	8	011.60.2000	013.60.2000
	2178	1825	144	132	12	2110	1891	33	48	8	012.60.2000	014.60.2000
010.60.2240	2418	2065	144	132	12	2350	2131	33	48	8	011.60.2240	013.60.2240
	2418	2065	144	132	12	2350	2131	33	48	8	012.60.2240	014.60.2240
010.60.2500	2678	2325	144	132	12	2610	2391	33	56	8	011.60.2500	013.60.2500
	2678	2325	144	132	12	2610	2391	33	56	8	012.60.2500	014.60.2500
010.60.2800	2978	2625	144	132	12	2910	2691	33	56	8	011.60.2800	013.60.2800
	2978	2625	144	132	12	2910	2691	33	56	8	012.60.2800	014.60.2800
010.75.3150	3376	2922	174	162	12	3286	3014	45	56	8	011.75.3150	013.75.3150
	3376	2922	174	162	12	3286	3014	45	56	8	012.75.3150	014.75.3150
010.75.3550	3776	3322	174	162	12	3686	3414	45	56	8	011.75.3550	013.75.3550
	3776	3322	174	162	12	3686	3414	45	56	8	012.75.3550	014.75.3550
010.75.4000	4226	3772	174	162	12	4136	3864	45	60	10	011.75.4000	013.75.4000
	4226	3772	174	162	12	4136	3864	45	60	10	012.75.4000	014.75.4000
010.75.4500	4726	4272	174	162	12	4636	4364	45	60	10	011.75.4500	013.75.4500
	4726	4272	174	162	12	4636	4364	45	60	10	012.75.4500	014.75.4500



**Single Row
Cross**

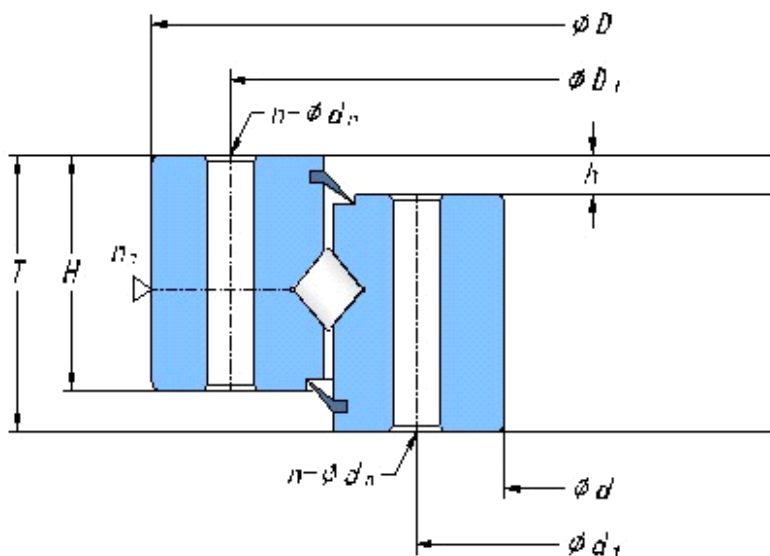
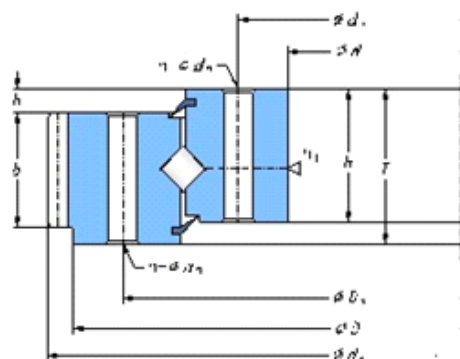
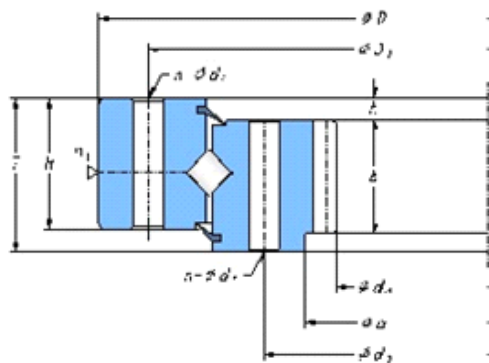
**Roller
Slewing
Bearings**



HTB single-row cross roller slewing bearings have the following features: Support combination of large radial force, medium axial force and tilting moment, and meet the requirements for small or zero clearance.

Applications: Hoisting, mechanical handling, general mechanical engineering and etc.

Single-Row Cross Roller Slewing Bearings



Single-Row Cross Roller Slewing Bearings

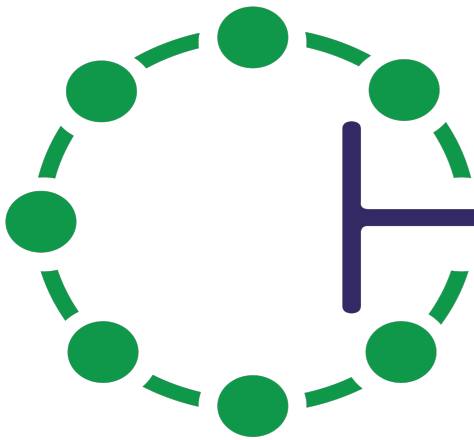
Bearing No.	Dimensions (mm)										Bearing No.	Bearing No.
without gears	D	d	T	H	h	D1	d1	dn	n	n1	external gear	internal gear
110.25.500	602	398	75	65	10	566	434	18	20	4	111.25.500	113.25.500
	602	398	75	65	10	566	434	18	20	4	112.25.500	114.25.500
110.25.560	662	458	75	65	10	626	494	18	20	4	111.25.560	113.25.560
	662	458	75	65	10	626	494	18	20	4	112.25.560	114.25.560
110.25.630	732	528	75	65	10	696	564	18	24	4	111.25.630	113.25.630
	732	528	75	65	10	696	564	18	24	4	112.25.630	114.25.630
110.25.710	812	608	75	65	10	776	644	18	24	4	111.25.710	113.25.710
	812	608	75	65	10	776	644	18	24	4	112.25.710	114.25.710
110.28.800	922	678	82	72	10	878	722	22	30	6	111.28.800	113.28.800
	922	678	82	72	10	878	722	22	30	6	112.28.800	114.28.800
110.28.900	1022	778	82	72	10	978	822	22	30	6	111.28.900	113.28.900
	1022	778	82	72	10	978	822	22	30	6	112.28.900	114.28.900
110.28.1000	1122	878	82	72	10	1078	922	22	36	6	111.28.1000	113.28.1000
	1122	878	82	72	10	1078	922	22	36	6	112.28.1000	114.28.1000
110.28.1120	1242	998	82	72	10	1198	1042	22	36	6	111.28.1120	113.28.1120
	1242	998	82	72	10	1198	1042	22	36	6	112.28.1120	114.28.1120
110.32.1250	1390	1110	91	81	10	1337	1163	26	40	5	111.32.1250	113.32.1250
	1390	1110	91	81	10	1337	1163	26	40	5	112.32.1250	114.32.1250
110.32.1400	1540	1260	91	81	10	1487	1313	26	40	5	111.32.1400	113.32.1400
	1540	1260	91	81	10	1487	1313	26	40	5	112.32.1400	114.32.1400
110.32.1600	1740	1460	91	81	10	1687	1513	26	45	5	111.32.1600	113.32.1600
	1740	1460	91	81	10	1687	1513	26	45	5	112.32.1600	114.32.1600
110.32.1800	1940	1660	91	81	10	1887	1713	26	45	5	111.32.1800	113.32.1800

Single-Row Cross Roller Slewing Bearings

	1940	1660	91	81	10	1887	1713	26	45	5	112.32.1800	114.32.1800
110.40.2000	2178	1825	112	100	12	2110	1891	33	48	8	111.40.2000	113.40.2000
	2178	1825	112	100	12	2110	1891	33	48	8	112.40.2000	114.40.2000
110.40.2240	2418	2065	112	100	12	2350	2131	33	48	8	111.40.2240	113.40.2240
	2418	2065	112	100	12	2350	2131	33	48	8	112.40.2240	114.40.2240
110.40.2500	2678	2325	112	100	12	2610	2391	33	56	8	111.40.2500	113.40.2500
	2678	2325	112	100	12	2610	2391	33	56	8	112.40.2500	114.40.2500
110.40.2800	2978	2625	112	100	12	2910	2691	33	56	8	111.40.2800	113.40.2800
	2978	2625	112	100	12	2910	2691	33	56	8	112.40.2800	114.40.2800
110.50.3150	3376	2922	134	122	12	3286	3014	45	56	8	111.50.3150	113.50.3150
	3376	2922	134	122	12	3286	3014	45	56	8	112.50.3150	114.50.3150
110.50.3550	3776	3322	134	122	12	3686	3414	45	56	8	111.50.3550	113.50.3550
	3776	3322	134	122	12	3686	3414	45	56	8	112.50.3550	114.50.3550
110.50.4000	4226	3772	134	122	12	4136	3864	45	60	10	111.50.4000	113.50.4000
	4226	3772	134	122	12	4136	3864	45	60	10	112.50.4000	114.50.4000



Three-Row Cylindrical Roller Slewing Bearings

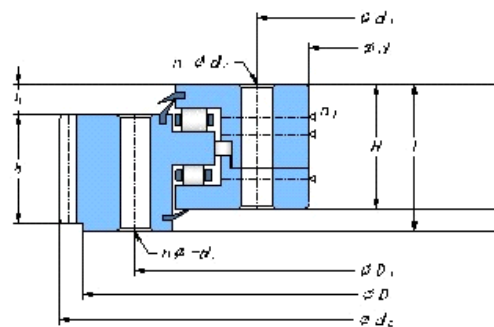
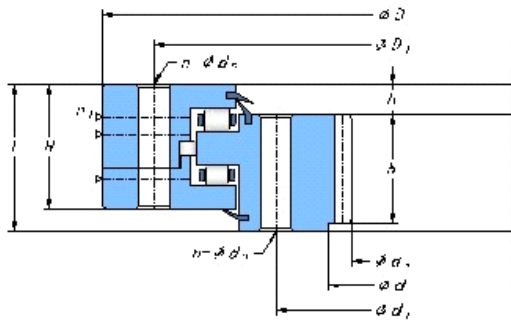
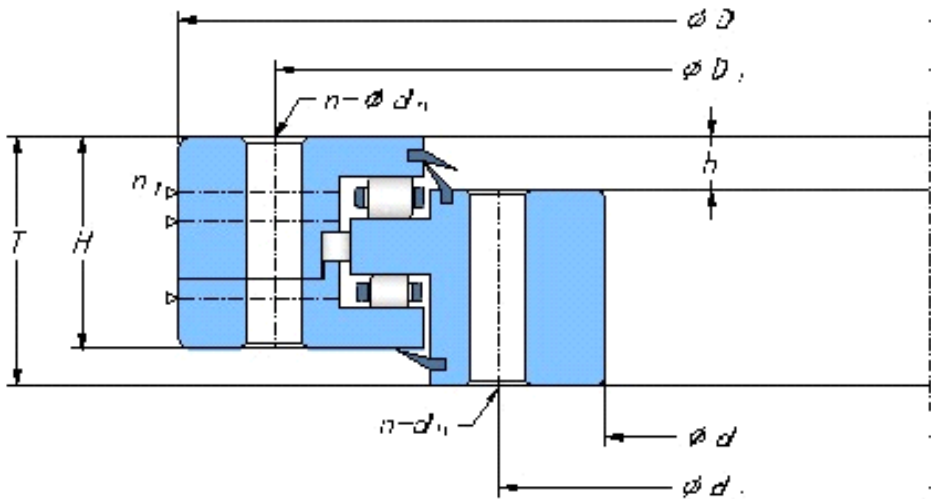


HTB
BEARINGS

HTB three row roller slewing bearings have the following features: High load carrying capacity; Different loads are supported by different raceways and cylindrical rollers separately. Therefore, under same loads, ball diameter can be reduced much more to make the mainframe more compact.

Applications: Hoisting, mechanical handling, mining and materials handling, offshore technology and general mechanical engineering and etc.

Three-Row Cylindrical Roller Slewing Bearings



Three-Row Cylindrical Roller Slewing Bearings

Bearing No.	Dimensions (mm)										Bearing No.	Bearing No.
without gears	D	d	T	H	h	D1	d1	d n	n	n l	external gear	internal gear
130.25.500	634	36 6	14 8	13 8	3 2	598	402	1 8	2 4	4	131.25.500	133.25.500
	634	36 6	14 8	13 8	3 2	598	402	1 8	2 4	4	132.25.500	134.25.500
130.25.560	694	42 6	14 8	13 8	3 2	658	462	1 8	2 4	4	131.25.560	133.25.560
	694	42 6	14 8	13 8	3 2	658	462	1 8	2 4	4	132.25.560	134.25.560
130.25.630	764	49 6	14 8	13 8	3 2	728	532	1 8	2 8	4	131.25.630	133.25.630
	764	49 6	14 8	13 8	3 2	728	532	1 8	2 8	4	132.25.630	134.25.630
130.25.710	844	57 6	14 8	13 8	3 2	808	612	1 8	2 8	4	131.25.710	133.25.710
	844	57 6	14 8	13 8	3 2	808	612	1 8	2 8	4	132.25.710	134.25.710
130.32.800	964	63 6	18 2	17 2	4 0	920	680	2 2	3 6	4	131.32.800	133.32.800
	964	63 6	18 2	17 2	4 0	920	680	2 2	3 6	4	132.32.800	134.32.800
130.32.900	106 4	73 6	18 2	17 2	4 0	102 0	780	2 2	3 6	4	131.32.900	133.32.900
	106 4	73 6	18 2	17 2	4 0	102 0	780	2 2	3 6	4	132.32.900	134.32.900
130.32.1000	116 4	83 6	18 2	17 2	4 0	112 0	880	2 2	4 0	5	131.32.1000	133.32.1000
	116 4	83 6	18 2	17 2	4 0	112 0	880	2 2	4 0	5	132.32.1000	134.32.1000
130.32.1120	128 4	95 6	18 2	17 2	4 0	124 0	100 0	2 2	4 0	5	131.32.1120	133.32.1120

Three-Row Cylindrical Roller Slewing Bearings

	128 4	956	18 2	17 2	4 0	124 0	100 0	2 2	4 0	5	132.32.112 0	134.32.112 0
130.40.125 0	144 5	105 5	22 0	21 0	5 0	139 3	110 7	2 6	4 5	5	131.40.125 0	133.40.125 0
	144 5	105 5	22 0	21 0	5 0	139 3	110 7	2 6	4 5	5	132.40.125 0	134.40.125 0
130.40.140 0	159 5	120 5	22 0	21 0	5 0	154 3	125 7	2 6	4 5	5	131.40.140 0	133.40.140 0
	159 5	120 5	22 0	21 0	5 0	154 3	125 7	2 6	4 5	5	132.40.140 0	134.40.140 0
130.40.160 0	179 5	140 5	22 0	21 0	5 0	174 3	145 7	2 6	4 8	6	131.40.160 0	133.40.160 0
	179 5	140 5	22 0	21 0	5 0	174 3	145 7	2 6	4 8	6	132.40.160 0	134.40.160 0
130.40.180 0	199 5	160 5	22 0	21 0	5 0	194 3	165 7	2 6	4 8	6	131.40.180 0	133.40.180 0
	199 5	160 5	22 0	21 0	5 0	194 3	165 7	2 6	4 8	6	132.40.180 0	134.40.180 0
130.45.200 0	222 1	177 9	23 1	21 9	5 4	215 5	184 5	3 3	6 0	6	131.45.200 0	133.45.200 0
	222 1	177 9	23 1	21 9	5 4	215 5	184 5	3 3	6 0	6	132.45.200 0	134.45.200 0
130.45.224 0	246 1	201 9	23 1	21 9	5 4	239 5	208 5	3 3	6 0	6	131.45.224 0	133.45.224 0
	246 1	201 9	23 1	21 9	5 4	239 5	208 5	3 3	6 0	6	132.45.224 0	134.45.224 0
130.45.250 0	272 1	227 9	23 1	21 9	5 4	265 5	234 5	3 3	7 2	8	131.45.250 0	133.45.250 0
	272 1	227 9	23 1	21 9	5 4	265 5	234 5	3 3	7 2	8	132.45.250 0	134.45.250 0
130.45.280 0	302 1	257 9	23 1	21 9	5 4	295 5	264 5	3 3	7 2	8	131.45.280 0	133.45.280 0
	302 1	257 9	23 1	21 9	5 4	295 5	264 5	3 3	7 2	8	132.45.280 0	134.45.280 0
130.50.315 0	343 2	286 8	27 0	25 8	6 5	334 2	295 8	4 5	7 2	8	131.50.315 0	133.50.315 0
	343 2	286 8	27 0	25 8	6 5	334 2	295 8	4 5	7 2	8	132.50.315 0	134.50.315 0